

Isometric Sketching- Rectangles

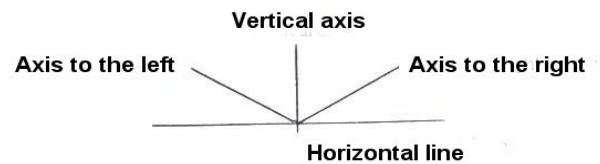
Isometric drawings are drawn around three axes from a horizontal line; vertical axis, a 30° axis to the right, and a 30° axis to the left. All three axes intersect at one point on the horizontal line.

All horizontal lines in an isometric are always drawn at 30° and parallel to each other, and are either to the left or to the right of the vertical. For this reason all shapes in isometric drawings are not true shapes, they are distorted shapes.

All vertical lines in an isometric are always drawn vertically, and they are always parallel to each other.

Drawing a Cube

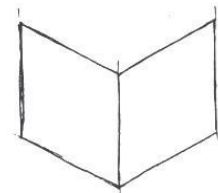
1. Draw a light horizontal axis. Draw a light vertical axis. Draw a light 30° axis to the right. Draw a light 30° axis to the left.



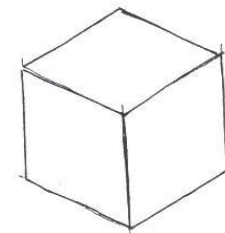
2. Measure the length along the left 30° axis, make a mark and draw a light vertical line.



3. Measure the height along the vertical axis, make a mark and draw a light 30° line to the left to intersect the vertical line drawn at 2.



4. Measure the length along the right 30° axis, make a mark and draw a light vertical line.

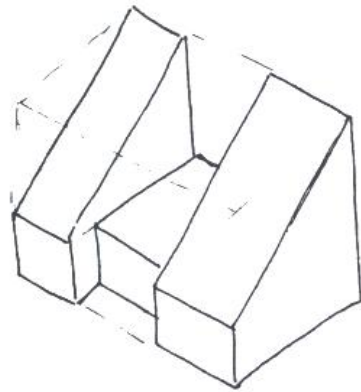
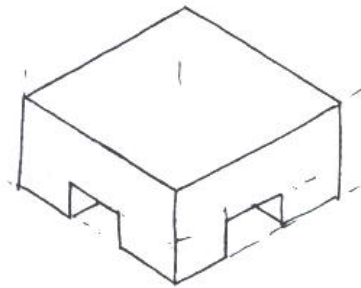
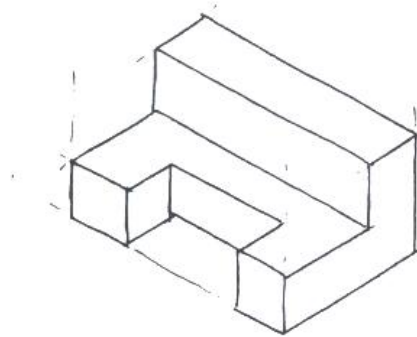
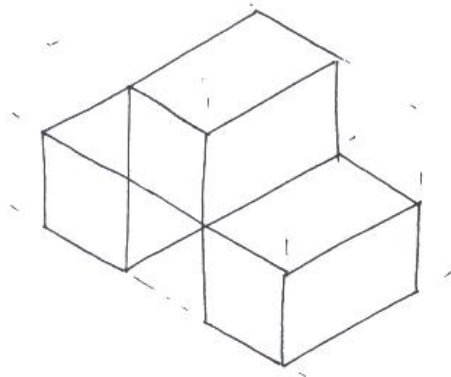


5. From the height along the vertical axis, make a mark and draw a light 30° line to the right to intersect the vertical line drawn at 4.

6. Draw a light 30° line to the right and a light 30° line to the left to complete the cube. Once the construction is complete darken in the shape (cube).

Isometric Sketching- Rectangles Drawing Practice

Freehand sketch each of the following shapes to the same proportions that have been drawn below.



Isometric Sketching- Circles

For each isometric 3D circle that needs to be drawn, a rhombus has to be drawn that has its sides equal to the diameter of the circle. To draw a circle follow the step by step illustrated procedure.

